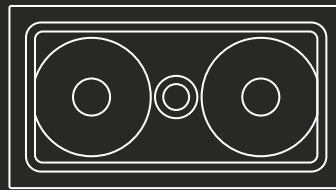
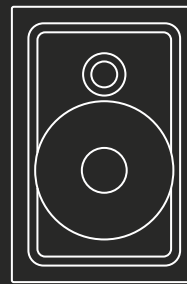


**Performance series**  
**In-wall**

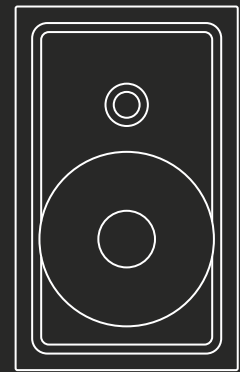
# **Instructions for use**



P4-LCR50



P4-W65



P4-W80

**DYNAUDIO**

EN

These Instructions for use will help you quickly get up and running with your Dynaudio Custom Performance series installation.

They don't replace the manual; please visit [dynaudio.com/support](https://www.dynaudio.com/support) for full installation and operating information. Please read the **"important safety instructions"** supplied with these speakers before you begin.



Follow the illustrations to install your Dynaudio Custom Performance series speakers.

DE

Mit Hilfe dieser Gebrauchsanweisung können Sie die Dynaudio Custom Performance Series schnell in Betrieb nehmen. Diese Gebrauchsanweisung ersetzt nicht die vollständige Bedienungsanleitung. Bitte besuchen Sie die Website [dynaudio.com/support](https://www.dynaudio.com/support). Dort erhalten Sie vollständige Informationen zu Installation und Betrieb dieses Produkts. Bitte lesen Sie zuerst die mit diesen Lautsprechern gelieferten **„wichtigen Sicherheitshinweise“**.



Gehen Sie entsprechend den Abbildungen vor, um die Dynaudio Custom Performance Series Lautsprecher zu installieren.

ES

Estas instrucciones de puesta en marcha le ayudarán a configurar e instalar rápidamente sus Dynaudio Custom Performance series. Estas instrucciones no pretenden sustituir al manual de instrucciones completo.



Consulte en la web [dynaudio.com/support](https://www.dynaudio.com/support) toda la información relativa a la instalación y el funcionamiento. Lea las **"instrucciones importantes de seguridad"** incluidas con estos altavoces antes de empezar.

Siga estas ilustraciones para instalar sus altavoces Dynaudio Custom Performance series.

IT

Queste istruzioni per l'uso ti aiuteranno nella rapida installazione e messa in opera dei diffusori Dynaudio Custom Performance series. Non sostituiscono il manuale d'uso. Per le informazioni complete riguardanti l'installazione e l'utilizzo, visita il sito [dynaudio.com/support](https://www.dynaudio.com/support). Prima di cominciare, si prega di leggere le **"importanti norme di sicurezza"** fornite con i diffusori.



Segui le illustrazioni per installare i tuoi diffusori Dynaudio Custom Performance series.

FR

Ces instructions d'utilisation vous aideront à vous familiariser rapidement avec l'installation de votre Dynaudio Custom Performance series. Elles ne remplacent pas le manuel. Veuillez visiter le site [dynaudio.com/support](https://www.dynaudio.com/support) pour des informations complètes sur l'installation et le fonctionnement.



Veuillez lire les **« consignes de sécurité importantes »** fournies avec ces enceintes avant de commencer.

Consultez les illustrations pour l'installation vos enceintes Dynaudio Custom Performance series.

CN

这些使用说明可以帮助您快速完成丹拿 Custom Performance 系列的安装,不能替代用户手册。如需完整的安装和操作信息,请访问 [dynaudio.com/support](https://www.dynaudio.com/support)。开始前,请先阅读音箱随附的**《重要安全说明》**。



请按照图示安装丹拿 Custom Performance 系列音箱。

JP

この使用説明書は、Dynaudio Custom Performance seriesの据付を簡単にするためのものです。これはマニュアルに取って代わるものではありません。据付と操作に関する詳細情報については、[dynaudio.com/support](https://www.dynaudio.com/support)を参照してください。開始前に、本スピーカーに付属の**「重要 - 安全のための注意事項」**をお読みください。



Dynaudio Custom Performance seriesスピーカーを据え付けるにはイラストに従ってください。

KR

여기에 나온 사용법은 Dynaudio Custom Performance Series 설치를 빨리 시작할 수 있도록 도와줍니다. 사용 설명서를 대체하지는 않습니다. 설치 및 사용에 대한 자세한 내용을 보려면 [dynaudio.com/support](https://www.dynaudio.com/support)를 참조하십시오. 시작하기 전에 스피커와 함께 제공된 **“중요 안전 지침”**을 읽어보십시오.



Dynaudio Custom Performance Series 스피커 설치에 대한 그림 설명을 참조하십시오.

Denne brugsvejledning vil hjælpe dig hurtigt i gang med din Dynaudio Custom Performance series installation. Den erstatter

**DK**

ikke manualen. Besøg venligst [dynaudio.com/support](http://dynaudio.com/support) for alle



informationer om installation og brug. Læs venligst **“vigtige sikkerhedsforanstaltninger”**, som følger med disse højttalere, før du begynder.

Følg illustrationerne for at installere dine Dynaudio Custom Performance series-højttalere.

Это руководство по применению поможет вам быстро ознакомиться и приступить к установке колонок Dynaudio Custom Performance series. Данный документ не заменяет руководства

**RU**

пользователя. Для получения полной информации по установке и работе посмотрите раздел сайта [dynaudio.com/support](http://dynaudio.com/support).



Перед началом работы ознакомьтесь с документом **«Важные инструкции по технике безопасности»**, прилагаемым к этим акустическим системам.

На иллюстрациях показан порядок действий при установке колонок Dynaudio Custom Performance series.

Deze gebruiksaanwijzing helpt u snel aan de slag te gaan met de installatie van uw Dynaudio Custom Performance series. Ze vervangen de handleiding niet. Ga naar [dynaudio.com/support](http://dynaudio.com/support) voor volledige installatie- en bedieningsinformatie. Lees de „belangrijke

**NL**



veiligheidsinstructies“ die met deze luidsprekers zijn meegeleverd voordat u begint.

Volg de illustraties om uw Dynaudio Custom Performance series luidsprekers te installeren.

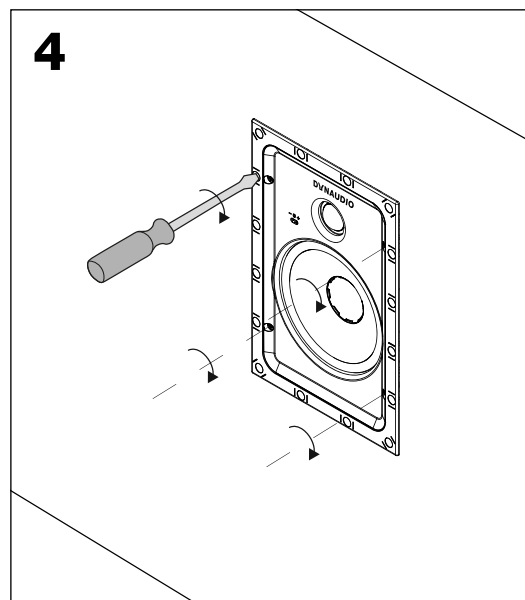
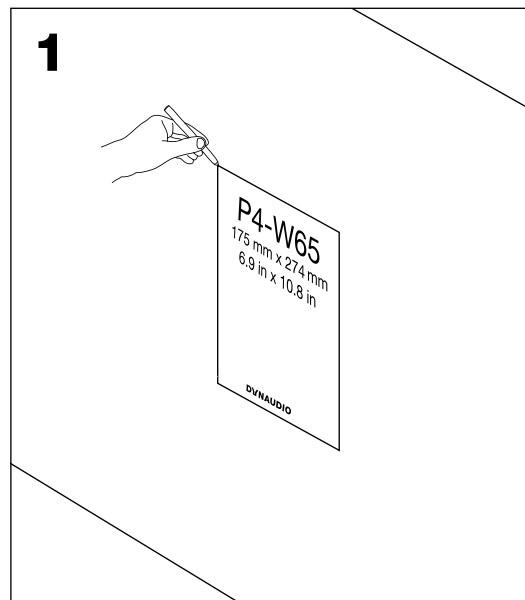
Estas instruções de uso ajudarão a instalar e começar a usar rapidamente o seu produto Dynaudio Custom Performance series. Elas não substituem o manual. Visite o site [dynaudio.com/support](http://dynaudio.com/support) para obter informações completas sobre instalação e operação. Leia as

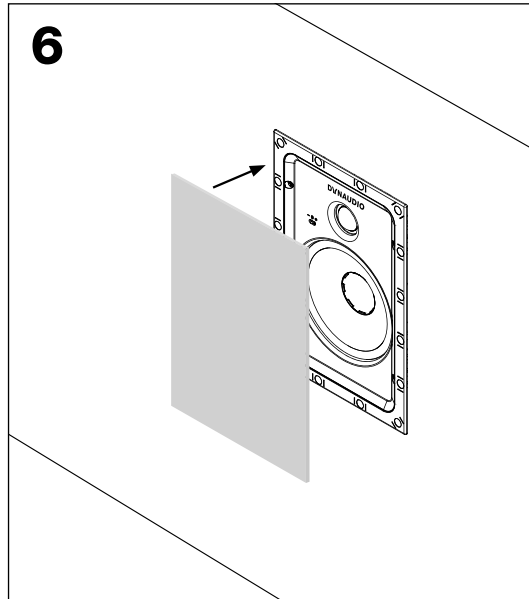
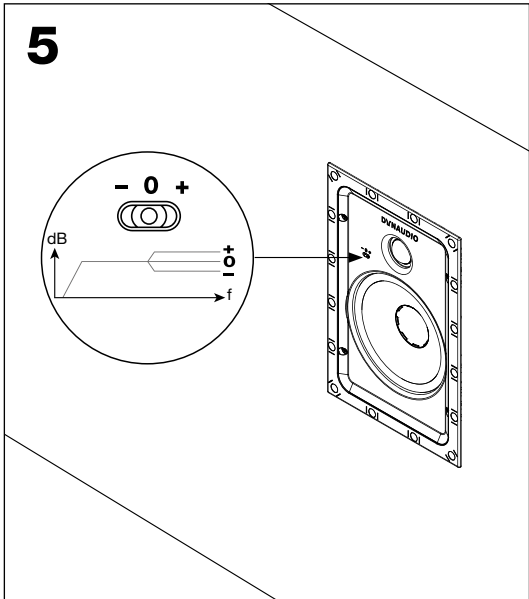
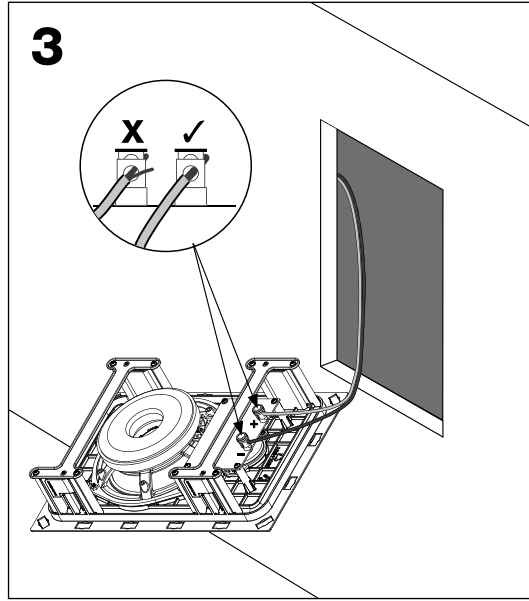
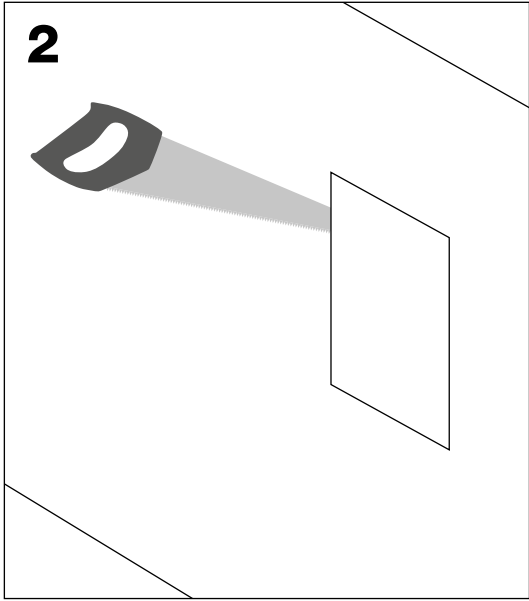
**PT**



**“instruções de segurança importantes”** fornecidas com os alto-falantes antes de começar.

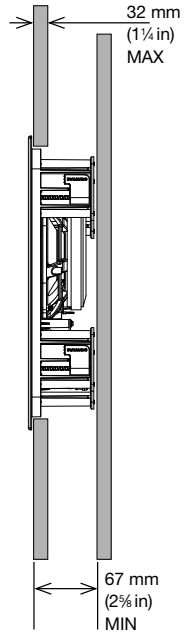
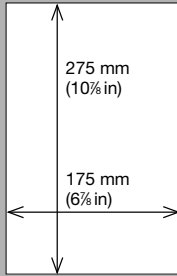
Siga as ilustrações para instalar os alto-falantes Dynaudio Custom Performance series.



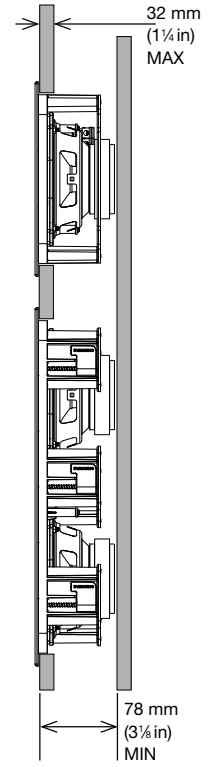
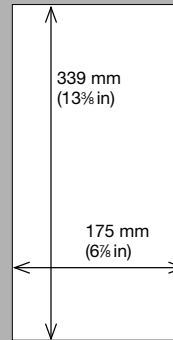
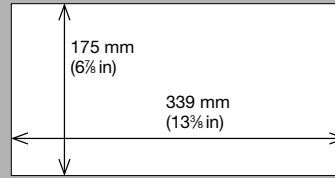




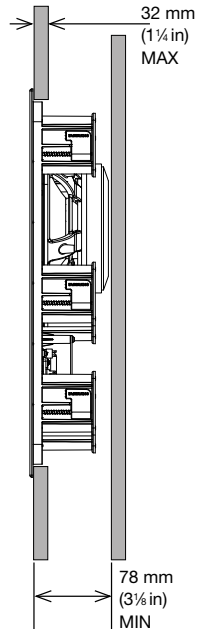
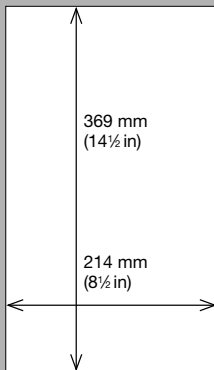
## P4-W65



## P4-LCR50



## P4-W80



| <b>Model number</b>                       | <b>P4-W65</b>                                      | <b>P4-W80</b>                                     | <b>P4-LCR50</b>                                     |
|---|--|---|---|
| Type                                      | 2-way in-wall                                      | 2-way in-wall                                     | 2-way in-wall                                       |
| Drivers                                   | Tweeter: 28 mm (1 in);<br>mid/bass: 165 mm (6½ in) | Tweeter: 28 mm (1 in);<br>mid/bass: 200 mm (8 in) | Tweeter: 28 mm (1 in);<br>mid/bass: 2x130 mm (5 in) |
| Performance frequency response (+/- 3 dB) | 46 Hz–20 kHz                                       | 42 Hz–20 kHz                                      | 46 Hz-20 kHz  |
| Impedance (nominal/minimum)               | 8 Ω /5 Ω   | 8 Ω / 5 Ω   | 4 Ω / 3.2 Ω   |
| Sensitivity (dB SPL [2.83 V/1 m])         | 87.5 dB  | 89 dB   | 89 dB   |
| Continuous power*                         | 40 W   | 50 W  | 50 W  |
| Long term power*                          | 80 W   | 160 W   | 100 W   |
| Tweeter level options                     | -3 dB, 0 dB, +3 dB                                 | -3 dB, 0 dB, +3 dB                                | +3 dB, 0 dB, -3 dB                                  |
| Dimensions (W x H x D)                    | 198 x 296 mm x 63 mm<br>(7¾ x 11¼ in x 2½ in)      | 237 x 392 mm x 77 mm<br>(9¼ x 15½ in x 3 in)      | 360 x 195 mm x 77 mm<br>(14¼ in x 7¾ in x 3 in)     |
| Cut-out dimensions                        | 175 x 275 mm<br>(6¾ x 10¾ in)                      | 215 x 370 mm<br>(8½ x 14½ in)                     | 175 x 340 mm<br>(6¾ in x 13¾ in)                    |

\* ) Measured according to IEC 60268-5 using a pink noise input signal. Continuous is 100 h operation. Long Term is 10 cycles of 1 min. On and 2 min. Off.

# DYNAUDIO

**Dynaudio A/S**  
8660 Skanderborg  
Denmark

**[dynaudio.com](http://dynaudio.com)**

Performance series In-wall - Instructions for use  
Item no. 4555303C  
All text and image copyrights reserved.  
Subject to change without notice.